

# SEETRONIC

## Product Data Sheet

**Product Type**                      **XLR Socket**

---

**Product Model**                    **MJ5F2C-B**

---

**Customer Name**

---

<b>Manufacturer</b>	<b>Prepared</b>	<b>Checked</b>	<b>Approved</b>

<b>Customer</b>	<b>Received</b>	<b>Checked</b>	<b>Confirmed</b>



## Product Data Sheet

<b>Product Type</b>	<b>XLR Socket</b>	
<b>Product Model</b>	<b>MJ5F2C-B</b>	
<b>Product Features</b>		
<ul style="list-style-type: none"><li>➤ 5-pin XLR male socket with zinc alloy and black plated housing and silver plated contacts</li><li>➤ D-shape metal shell with industry standard D-type installation dimensions provides installation compatibility</li><li>➤ Mountable on the front or rear of the panel</li><li>➤ Short axial size, space saving and lightweight</li></ul>		



## Product Data Sheet

### Product Parameters

Item	Specification
Connection type	XLR
Gender	Male

### Electrical Parameters

Item	Specification
Capacitance between contacts	$\leq 7$ pF
Contact resistance	$\leq 5$ m $\Omega$
Dielectric strength	1500V DC
Insulation resistance	$> 10$ G $\Omega$ (initial)
Rated current per contact	10 A
Rated voltage	$< 50$ V



## Product Data Sheet

### Mechanical Parameters

Item	Specification
Service Life	> 1000 mating cycles
Insertion force	$\leq 20$ N
Withdrawal force	$\leq 20$ N
Screw fixing torque	Latch lock
Chassis shape	D



## Product Data Sheet

### Material and Environmental Parameters

Item	Specification
Housing	Zinc alloy
Housing plating	Black plating
Insert	PA
Contacts	Cu alloy
Contact plating	Ag
Flame-retardant grade	UL 94-V0
Temperature range	-30°C ~ +80°C
Protection class	IP40
Solderability	Complies with IEC 68-2-20

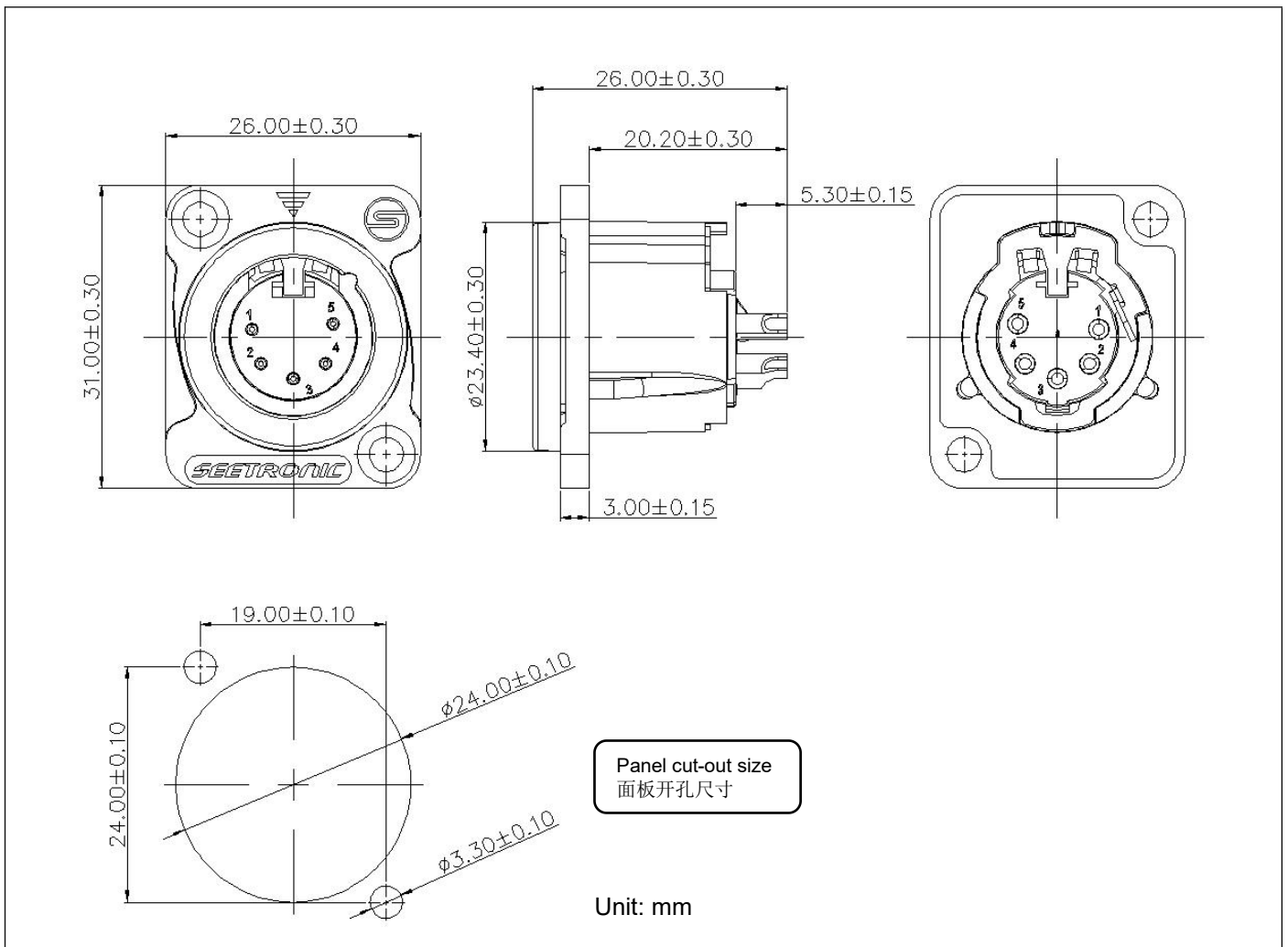
### Standards and Certifications

Standards	IEC 61076-2-103
-----------	-----------------



## Product Data Sheet

### Product Drawing



### Packaging Method

Blister box packaging

20 pcs per blister box, 100 pcs per inner carton, 5 inner carton per master carton (500 pcs per master carton)



## Product Data Sheet

### Accessory

- |  |  |
|--|--|
| <input checked="" type="checkbox"/> No accessories | <input type="checkbox"/> Back fastener plate |
| <input type="checkbox"/> Screws and Nuts           | <input type="checkbox"/> Other               |

### Assembly Instructions

Install the socket on the front or rear of the panel and tighten the screws with 0.5 Nm torque in clockwise direction.

